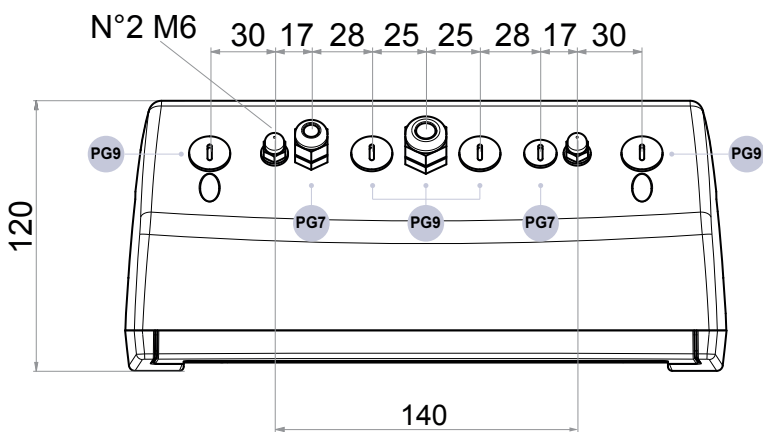
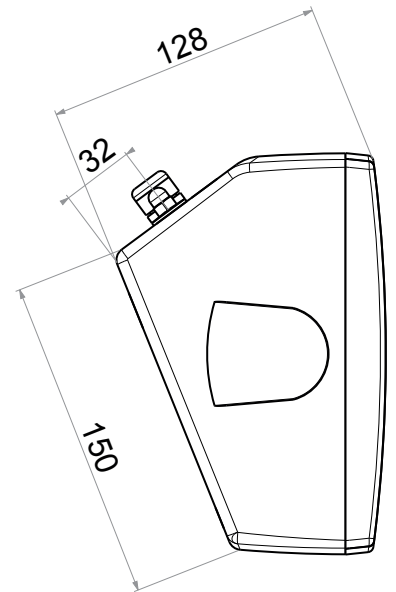
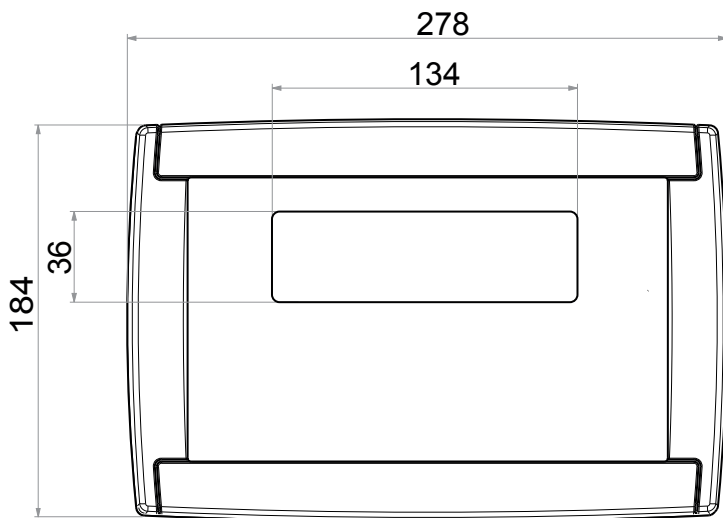


# DFWXP

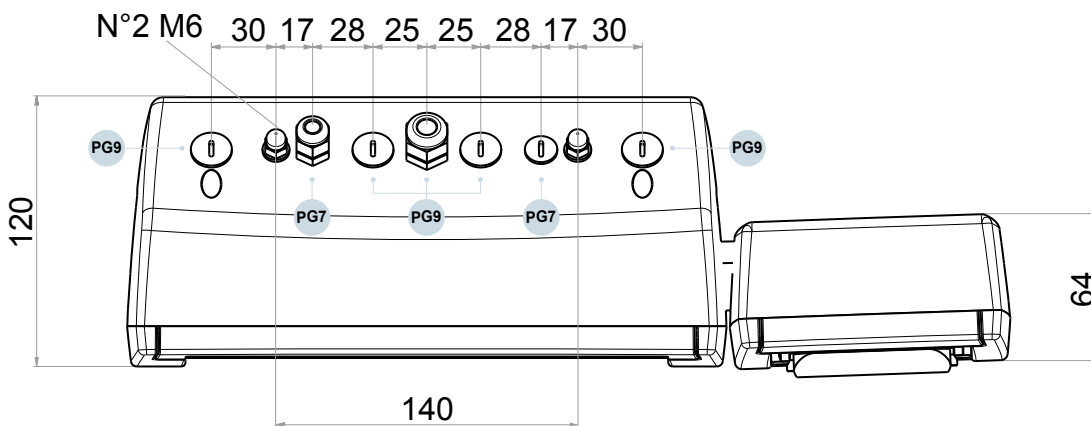
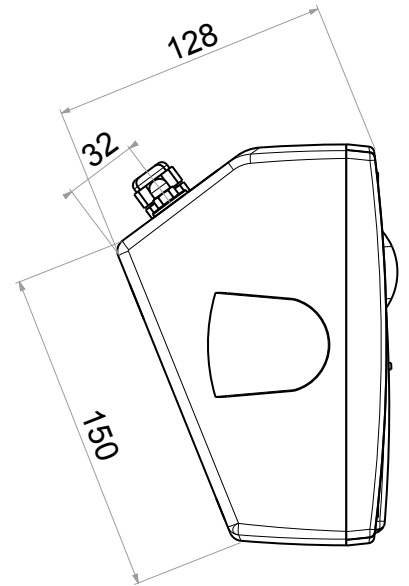
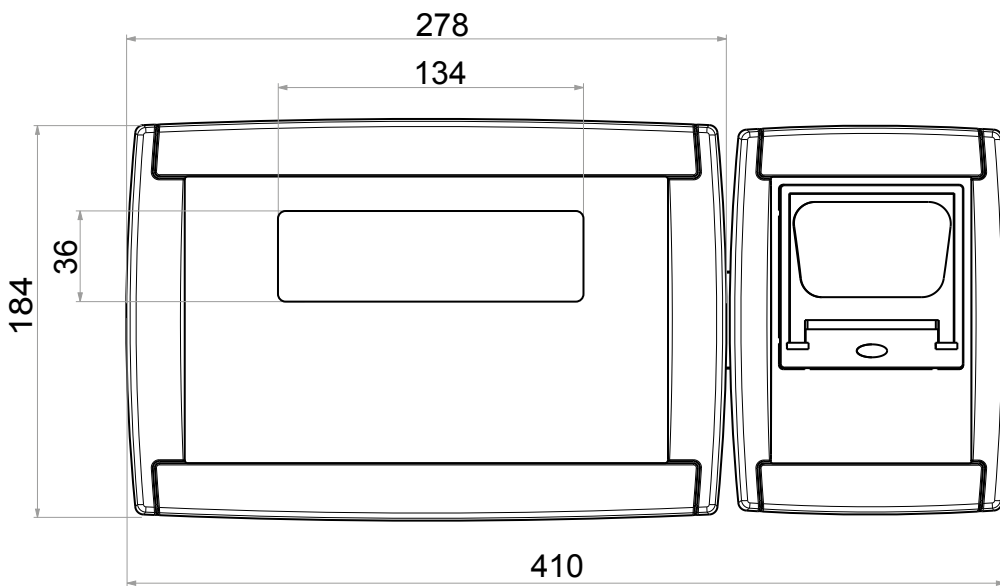


Cable gland	Min. cable $\varnothing$ (mm)	Max. cable $\varnothing$ (mm)	Fastening torque (Nm)
PG7 - plastic	2,5	6,5	1,5
PG9 - plastic	3,5	8	2

dimensions in mm

# DFWPXP

With thermal printer



Cable gland	Min. cable ø (mm)	Max. cable ø (mm)	Fastening torque (Nm)
PG7 - plastic	2,5	6,5	1,5
PG9 - plastic	3,5	8	2

dimensions in mm